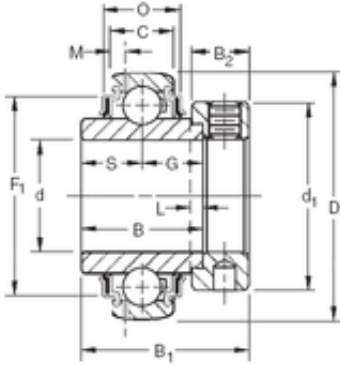




BEARING MANUFACTURING DE MEXICO,S.A.D...

47,625 mm x 110 mm x 49,21 mm TIMKEN GN114KRRB Insert Bearings Spherical OD



Bearing No. GN114KRRB

Size	47.625x110x49.21 mm
Bore Diameter	47,625 mm
Outer Diameter	110 mm
Width	49,21 mm
d	47,625 mm
D	110 mm
B	49,21 mm
C	29 mm
P	30,86 mm
O	82,87 mm
d1	75,8 mm
B1	5,36 mm
B2	22,2 mm
G	24,6 mm
L	4,8 mm
S	24,6 mm
F1	66,7 mm
Weight	1,973 Kg
Basic dynamic load rating (C)	68 kN

GN114KRRB Bearing 2D drawings and 3D CAD models